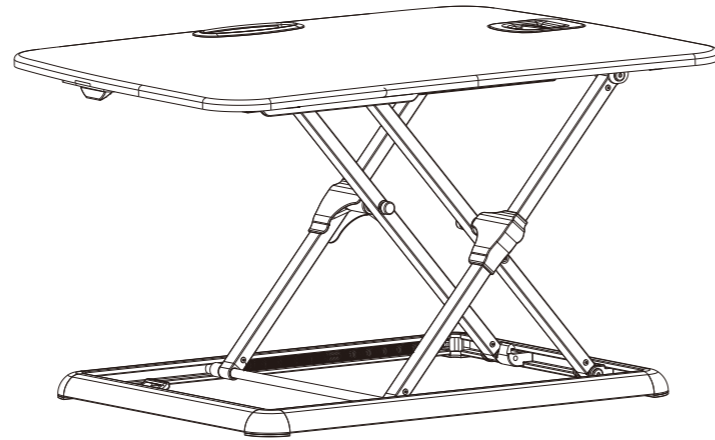
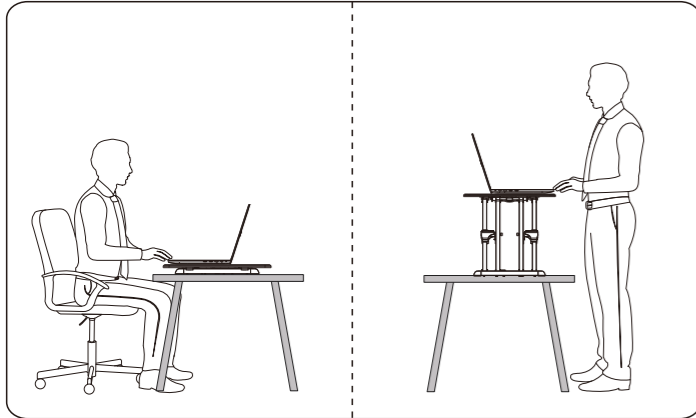


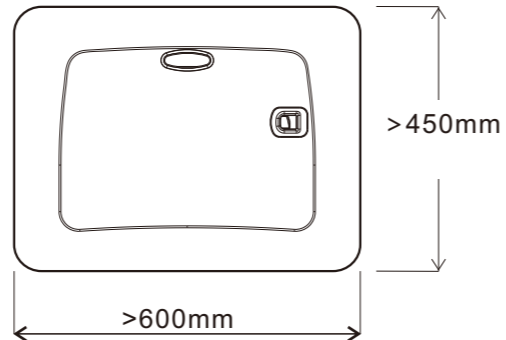
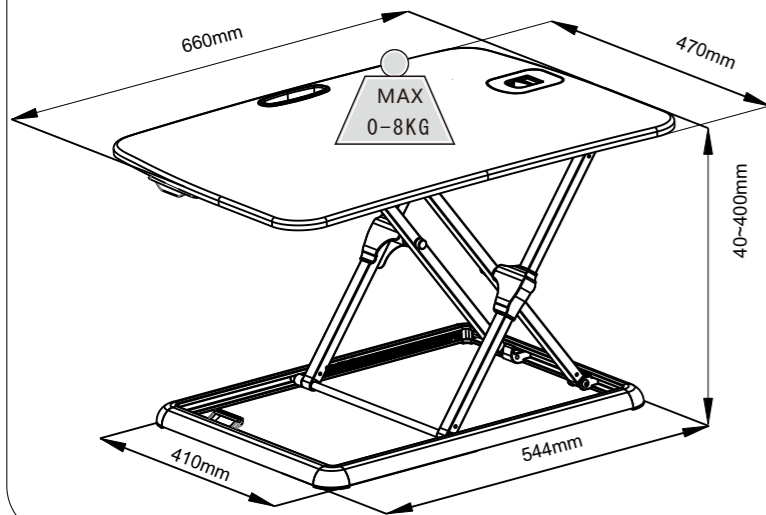
Item No.: MT 201

Installation guide



Specification

Table size:



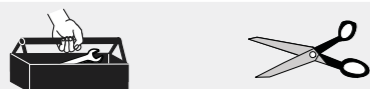
WARNING Please do not exceed the maximum WARNING bearing weight.

Loading range	0~8kg
Height adjustment range	40-400mm

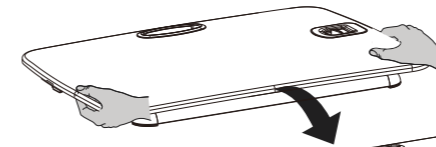
Spare part

NO.	Accessory
A	x1

TOOLS



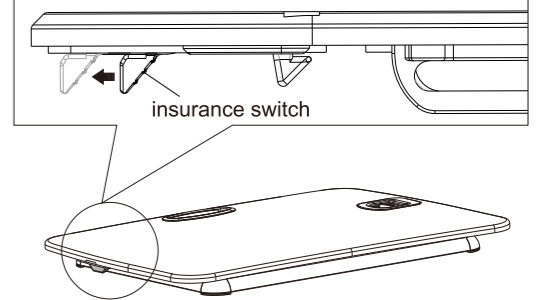
STEP 1



Please take the packaging carton apart, take out the product and put it on the table.

CAUTION Please place the product properly according to size of it, or it may hurt you or cause damage.

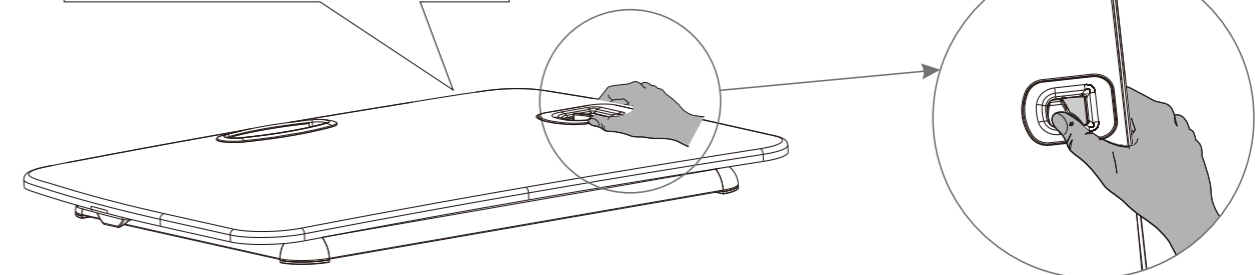
The insurance switch is closed when the product is taken out of the package. Please pull the insurance switch outward to unlock before using the product.



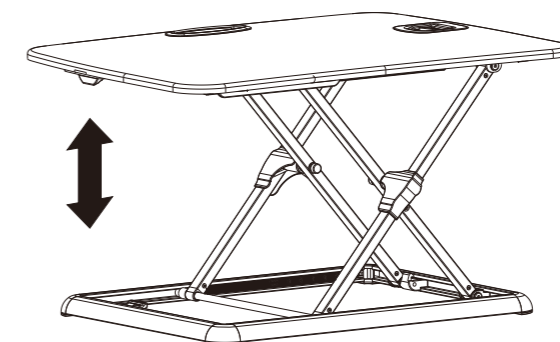
STEP 2

WARNING Please do not put hands near the supporting bars, to avoid any hurt while the desk is lifting up and down.

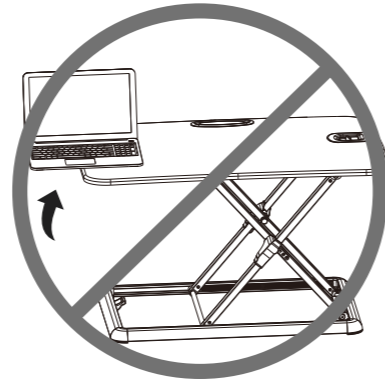
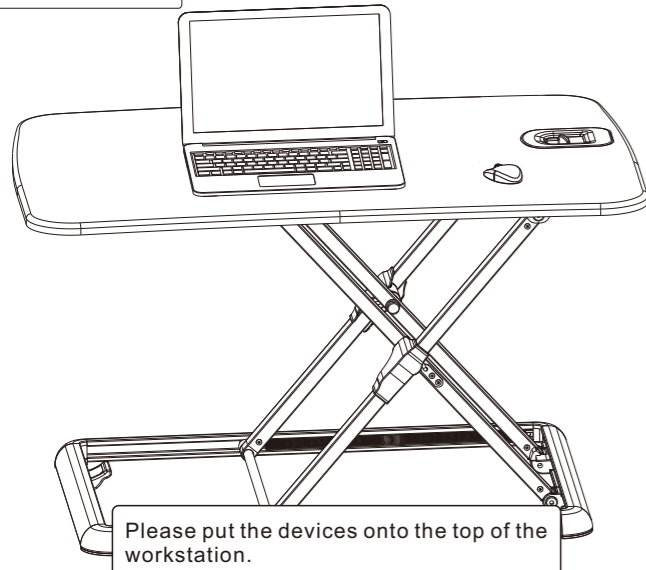
Please press the switch to adjust it to a desired height according to your situation.




When lifting the workstation, press the switch by your thumb and up the table with holding both sides of table edges, then it will get next height, locked automatically when you hearing the voice. When lowering the workstation, press the switch by your thumb and the loading will let it lower from current height, locked it automatically when hearing the voice.



STEP 3

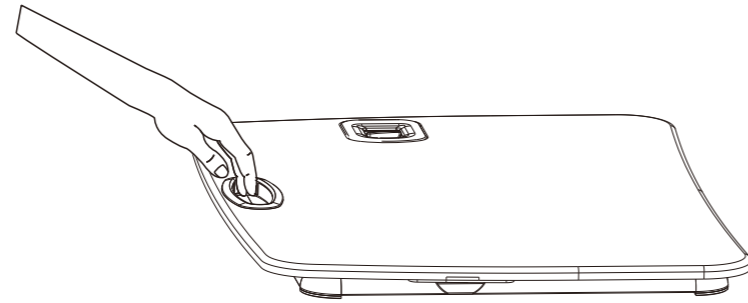
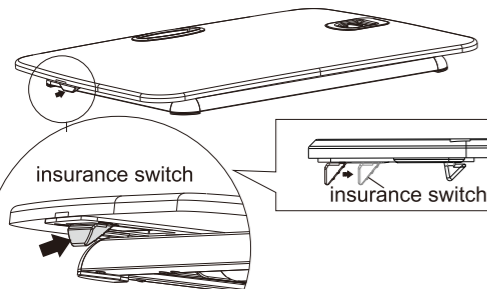


 **CAUTION** Please make sure all installed equipments are on the table, and not exceed the edge, or it may hurt you or cause damage.

How to take the workstation safely

1 Close the insurance switch

2 Take the workstation

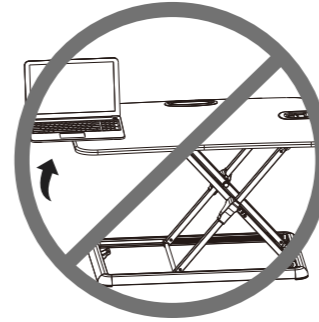


Please press the insurance switch and make sure it is closed to avoid losing its effect before taking it, or it will make workstation flick suddenly. It will decrease the potential risks after carry workstation.

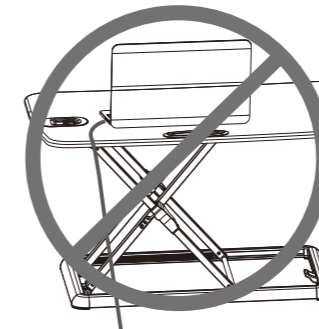
 **WARNING**

Hands Pinching

Do not place your hand near the strut. Strut's angle will change during the desktop lifts and it may hurt you.



Please make sure all installed equipments are on the table, and not sticking out of the edge, or it may harm or cause damage.



Please leave enough length of cable for height adjustment function, or it may hurt you or cause damage.